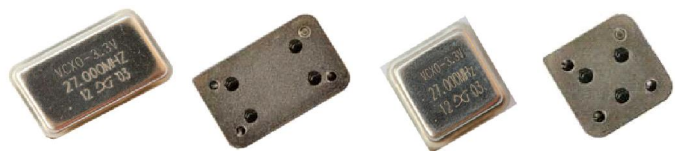




Dip Type VCXO (Full Size & Half Size)



■ FEATURES:

- Low cost and high stability
- Industry Standard
- TTL/HCMOS Output Compatible

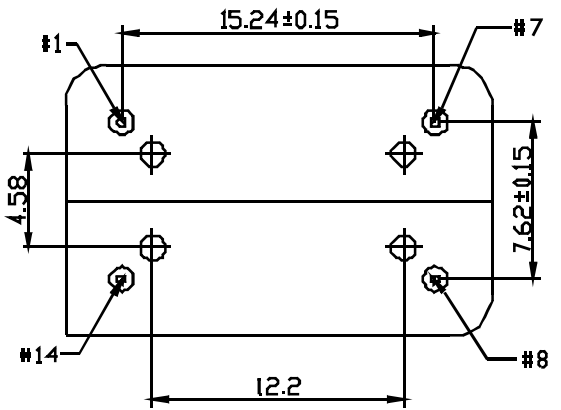
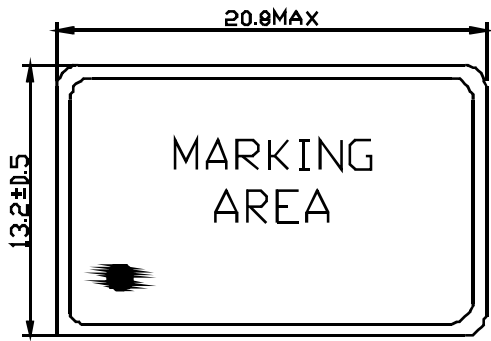
■ SPECIFICATION:

Parameter	Min	Typical	Max	Unit
Package	Full Size & Half Size			
Frequency Range (F0)	1.50		70.00	MHz
Frequency Tolerance @25±3 °C (ΔF/F0)	±20	F0	±50	PPM
Frequency Stability @T <sup>OPR</sup> (ΔF/F0)	±20	F0	±50	PPM
Operating Temperature Range (T <sup>OPR</sup> )	-40		+85	°C
Storage Temperature Range (T <sup>STG</sup> )	-55		+125	°C
Operating Voltage (V <sub>cc</sub> )	5.0±10% or 3.3±10%			V
Control Voltage Range (V <sub>control</sub> )	2.50±2.45 or 1.65±1.60			V
Pull ability @ Control Voltage Range	±50		±150	PPM
Input Current On Load (I <sub>cc</sub> )			40 (1.50 to 23.99MHz) 60 (24.00 to 49.99MHz) 80 (50.00 to 70.00MHz)	mA
Duty Cycle (η)	45	50	55	%
Rise Time (Tr)			10 (1.50 to 23.99MHz) 8 (24.00 to 49.99MHz) 6 (50.00 to 70.00MHz)	ns
Fall Time (Tf)			10 (1.50 to 23.99MHz) 8 (24.00 to 49.99MHz) 6 (50.00 to 70.00MHz)	ns
Output Load	15PFHCMOS Typ			
Output Low Voltage Level ("0")			10% V <sub>CC</sub>	V
Output High Voltage Level ("1")	90% V <sub>CC</sub>			V



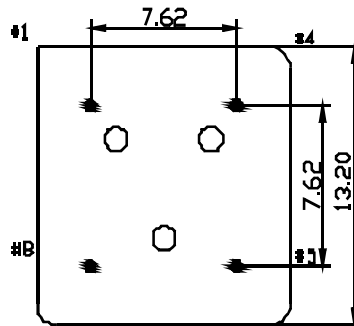
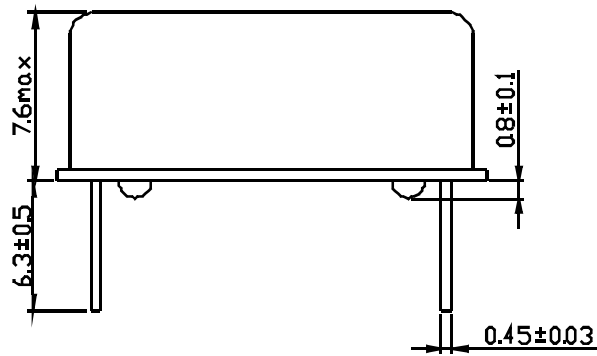


■ DIMENSIONS AND PIN FUNCTION:



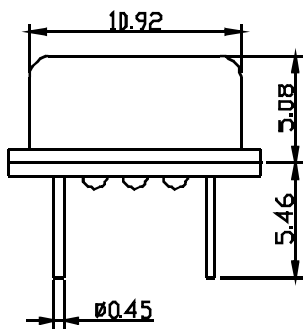
PIN	Function
#1	Vcontrol
#7	GND
#8	Output
#14	Vcc

Full Size Unit:mm



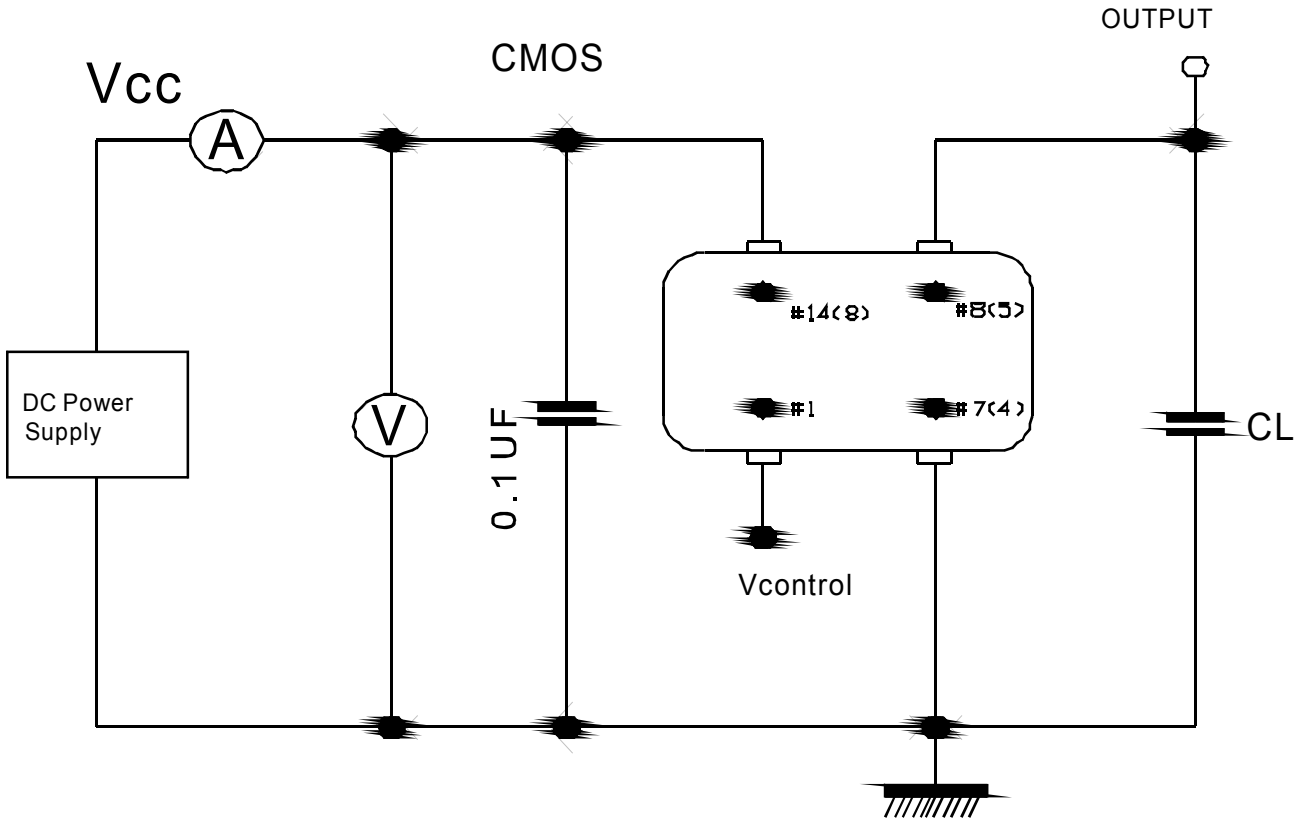
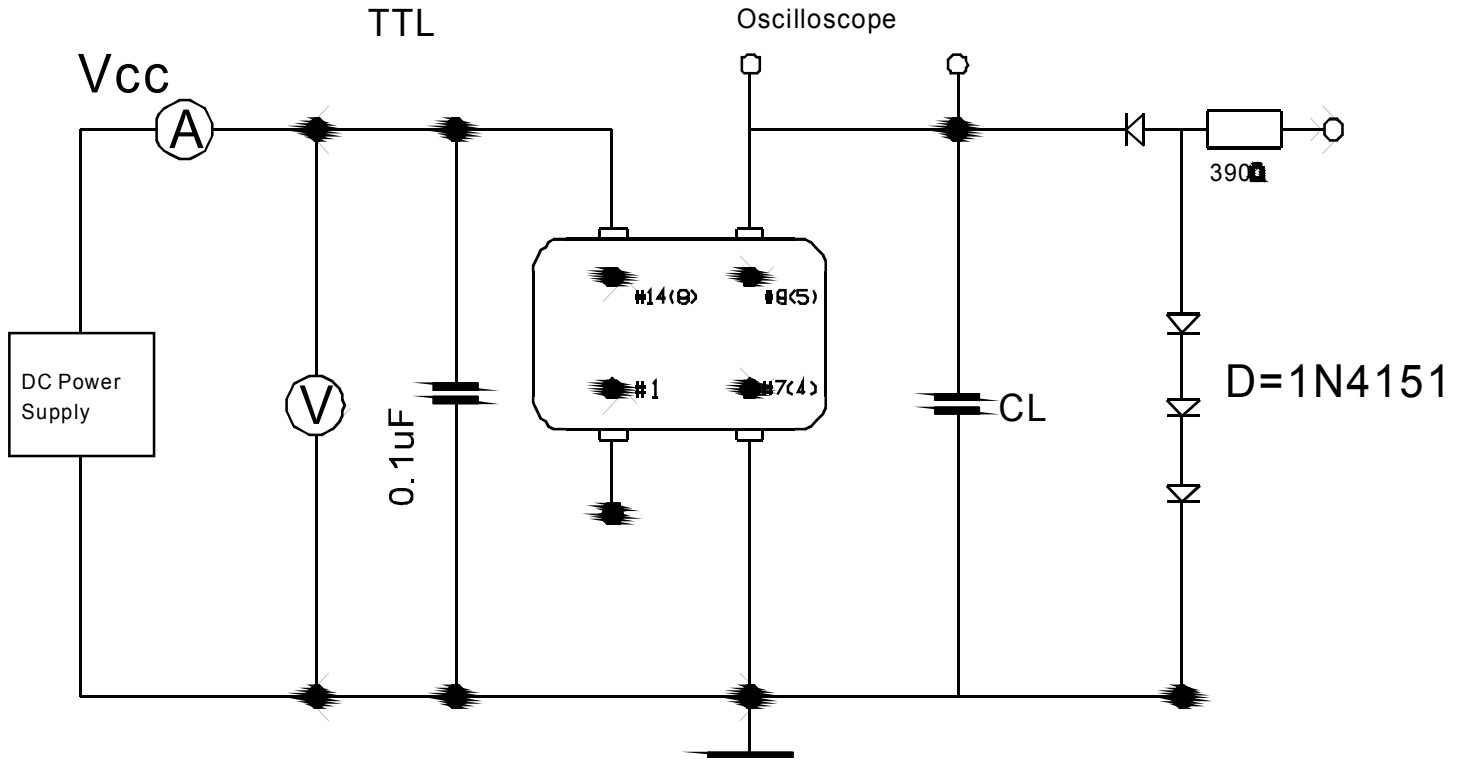
PIN	Function
#1	Vcontrol
#4	GND
#5	Output
#8	Vcc

Half Size Unit: mm





■ TEST CIRCUITS:



CL=15PF (including fixture and probe capacitance)

